

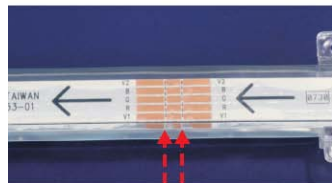


SRT04

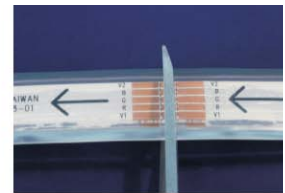
INSTRUCTIONS FOR CUTTING THE SRT04 RGB RIBBON TAPE

CUTTING INSTRUCTIONS

Step 1. Cut the SRT04 only on the cutting lines.



Cutting lines



Recommended:
Cut between the cutting lines. Remove the PVC (see Step 2) and then cut along the cutting lines.

Step 2. Remove the PVC coating



CAUTION: Do not cut the PCB when cutting off the PVC.

Step 3. Connect the SRT04 to a Connector, an End Cap or a Twin-Head Connector



Connector



End Cap



Twin-Head Connector

Step 4. Glue the SRT04 to the Connector, End Cap or Twin-Head Connector using a silicone sealant such as the recommended Dow Corning® 3145 RTV Silicone Adhesive.

SRT04

RGB LED RIBBON TAPE

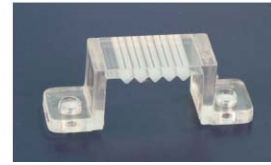
COMPONENTS



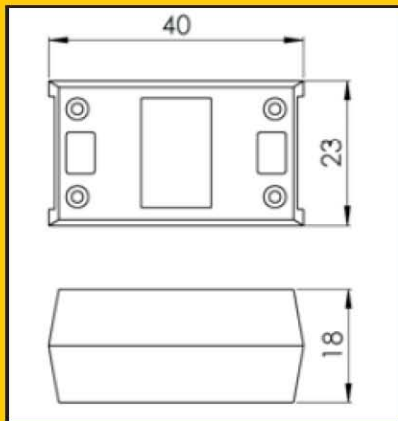
Connector



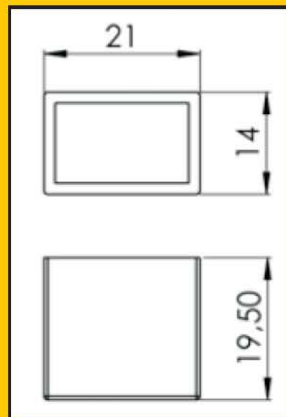
End Cap



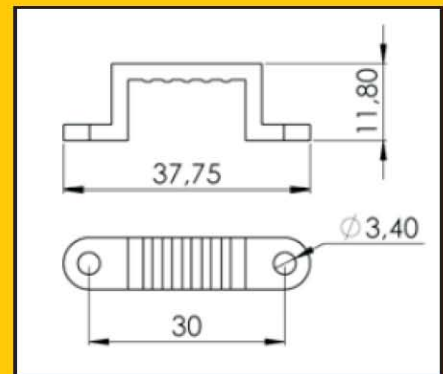
Mounting Fastener



Dimensions: L40xW23xH18mm
 Material: polycarbonate
 Degree of protection: IP66
 Weight: 10g



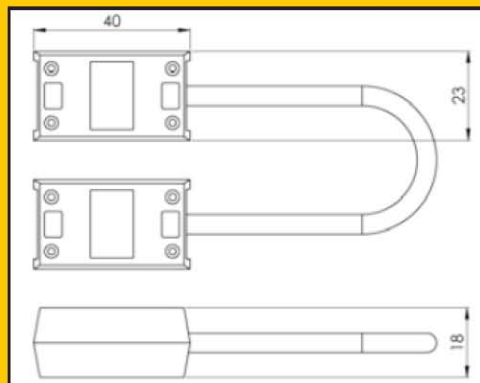
Dimensions: L19.5 x W21 x H14mm
 Material: PVC
 Degree of protection: IP67, glue with silicone sealant
 Weight: 2.5g



Dimensions: L37.75 x W3.4 x H11.80
 Material: PVC
 Weight: 1.2g



Twin-Head Connector
 with 30cm cable



Dimensions: L40xW23xH18mm
 Material: polycarbonate
 Degree of protection: IP66
 Weight: 72.4g